

Technical Data Sheet G Series

Basic Info

KSF G 114x1300-4xM16 KSF G 114x1000-4xM16

Nominal length (mm)

1300 1000

Tube diameter (mm)

114.30 114.30

Weight (kg)

11.00 8.50

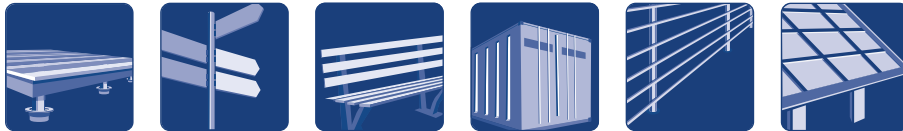
Item number

25461 25460

Construction

- Nut: DIN EN ISO 4032 - 8
- Continuous welded helix
- Coating: Hot-dip galvanized according to DIN EN ISO 1461

Applications



Accessories



**Special
Granulate 1500 g**
Item No. 21824



**Special
Granulate 500 g**
Item No. 21823



Screwing Bar long
2.40 kg
Item No. 24805



KSF G 114x
1300-4xM16

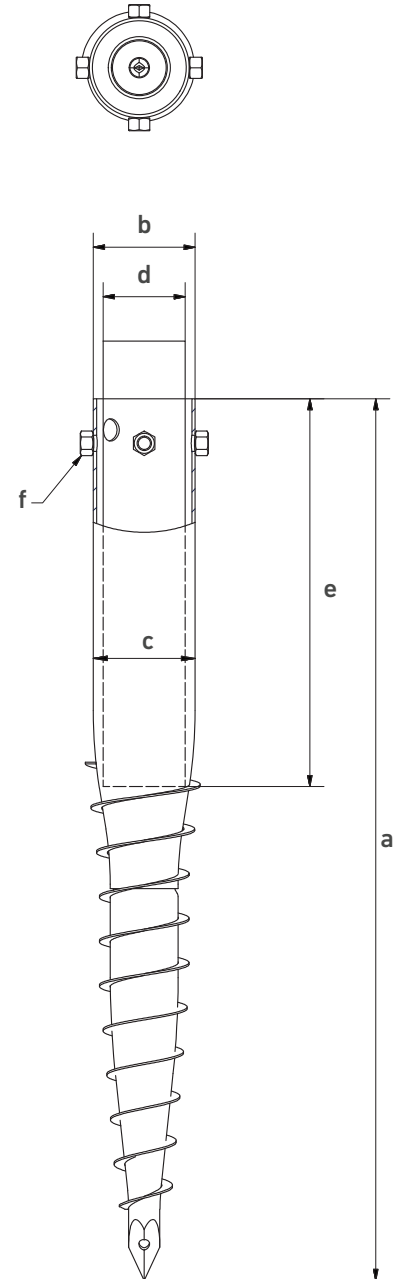
Subject to technical change!

Krinner Schraubfundamente GmbH | Passauer Straße 55 | D-94342 Straßkirchen
Phone: +49 9424 9401-80 | E-Mail: service@krinner.com | www.krinner.com

efficient · no concrete · durable

Technical Data

	KSF G 114x1300-4xM16	KSF G 114x1000-4xM16
a	Length (mm) (± 25 mm)	
	1300	990
b	Shaft outer diameter (mm)	
	114.30	114.30
c	Inner diameter (mm)	
	107.10	107.10
d	Diameter setting (mm)	
	100 90 80 76	100 90 80 76
e	Depth setting (mm) (± 25 mm)	
	490 540 570 590	350 400 440 460
f	Thread	
	4 x M16	4 x M16



Online Service

	KSF G 114x1300-4xM16	KSF G 114x1000-4xM16
--	----------------------	----------------------

Webkey

G2546111D

G2546011D



Subject to technical change!

Krinner Schraubfundamente GmbH | Passauer Straße 55 | D-94342 Straßkirchen
 Phone: +49 9424 9401-80 | E-Mail: service@krinner.com | www.krinner.com

Technical Data Sheet G Series

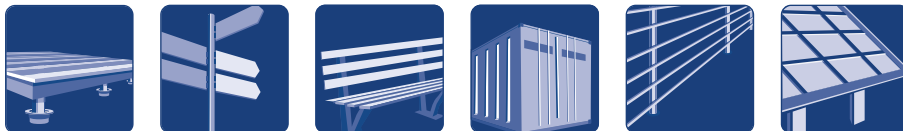
Basic Info

KSF G 89x1300-4xM12	KSF G 89x1000-4xM12	KSF G 89x800-4xM12
Nominal length (mm)		
1300	1000	800
Tube diameter (mm)		
88.90	88.90	88.90
Weight (kg)		
7.80	6.60	5.80
Item number		
25459	25458	25457

Construction

- Nut: DIN EN ISO 4032 - 8
- Continuous welded helix
- Coating: Hot-dip galvanized according to DIN EN ISO 1461

Applications



Accessories



**Special
Granulate 1500 g**
Item No. 21824



**Special
Granulate 500 g**
Item No. 21823



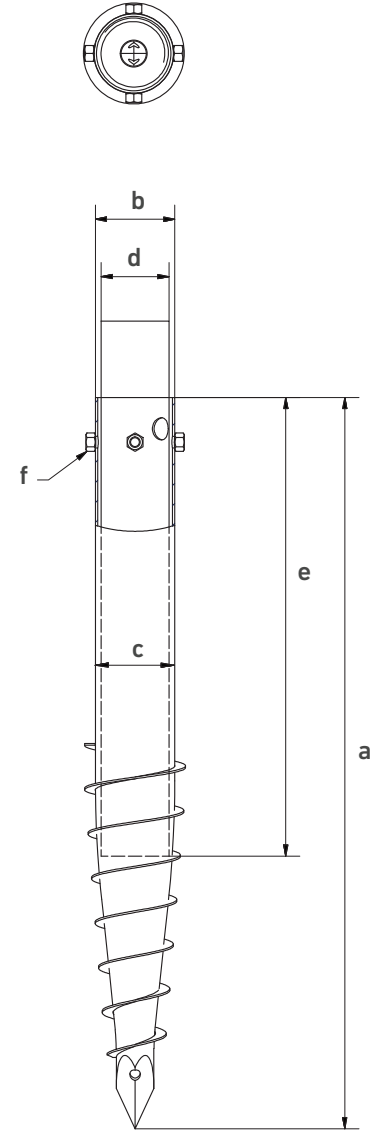
Screwing Bar long
2.40 kg
Item No. 24805



KSF G 89x
1300-4xM12

Technical Data

	KSF G 89x1300-4xM12	KSF G 89x1000-4xM12	KSF G 89x800-4xM12
a	Length (mm) (± 25 mm)		
	1280	1080	830
b	Shaft outer diameter (mm)		
	88.90	88.90	88.90
c	Inner diameter (mm)		
	83.70	83.70	83.70
d	Diameter setting (mm)		
	76 40x60 60 48	76 40x60 60 48	76 40x60 60 48
e	Depth setting (mm) (± 25 mm)		
	970 1020 1055 1090	780 830 855 900	520 570 600 640
f	Thread		
	4 x M12	4 x M12	4 x M12



Online Service

KSF G 89x1300-4xM12	KSF G 89x1000-4xM12	KSF G 89x800-4xM12
---------------------	---------------------	--------------------

Webkey

G2545911D



G2545811D



G2545711D



Subject to technical change!

Krinner Schraubfundamente GmbH | Passauer Straße 55 | D-94342 Straßkirchen
 Phone: +49 9424 9401-80 | E-Mail: service@krinner.com | www.krinner.com

Technical Data Sheet G Series

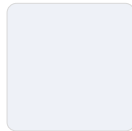
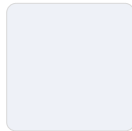
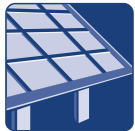
Basic Info

KSF G 76x2100-3xM16	KSF G 76x1600-3xM16	KSF G 76x1300-3xM16
Nominal length (mm)		
2100	1600	1300
Tube diameter (mm)		
76.10	76.10	76.10
Weight (kg)		
14.00	10.50	8.50
Item number		
25456	25455	25454

Construction

- Nut: DIN EN ISO 4032 - 8
- Continuous welded helix
- Coating: Hot-dip galvanized according to DIN EN ISO 1461

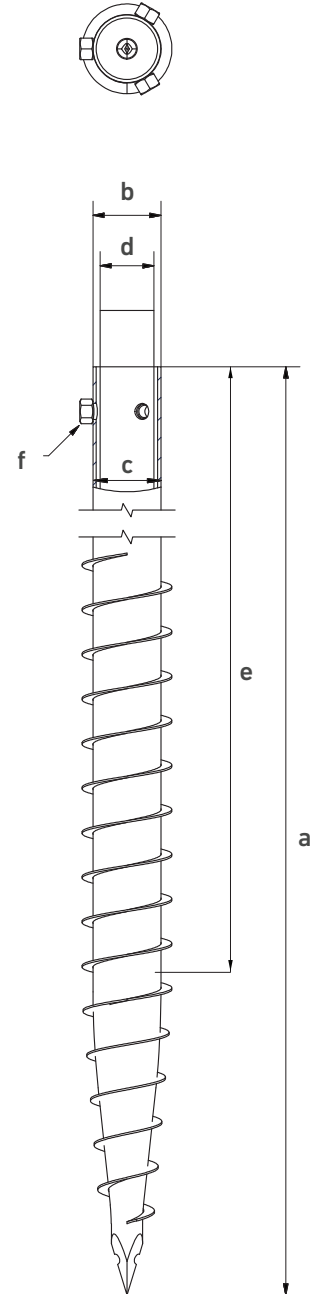
Applications



KSF G 76x
1300-3xM16

Technical Data

	KSF G 76x2100-3xM16	KSF G 76x1600-3xM16	KSF G 76x1300-3xM16
a	Length (mm) (± 25 mm)		
	2080	1580	1280
b	Shaft outer diameter (mm)		
	76.10	76.10	76.10
c	Inner diameter (mm)		
	68.90	68.90	68.90
d	Diameter setting (mm)		
	60	60	60
e	Depth setting (mm) (± 25 mm)		
	1815	1315	1020
f	Thread		
	3 x M16	3 x M16	3 x M16



Online Service

KSF G 76x2100-3xM16	KSF G 76x1600-3xM16	KSF G 76x1300-3xM16
---------------------	---------------------	---------------------

Webkey

G2545611D

G2545511D

G2545411D



Subject to technical change!

Krinner Schraubfundamente GmbH | Passauer Straße 55 | D-94342 Straßkirchen
 Phone: +49 9424 9401-80 | E-Mail: service@krinner.com | www.krinner.com

Technical Data Sheet G Series

Basic Info

KSF G 76x800-4xM12

Nominal length (mm)

800

Tube diameter (mm)

76.10

Weight (kg)

3.80

Item number

24083

Construction

- Nut: DIN EN ISO 4032 - 8
- Continuous welded helix
- Coating: Hot-dip galvanized according to DIN EN ISO 1461

Applications



Accessories



Special
Granulate 1500 g
Item No. 21824



Special
Granulate 500 g
Item No. 21823



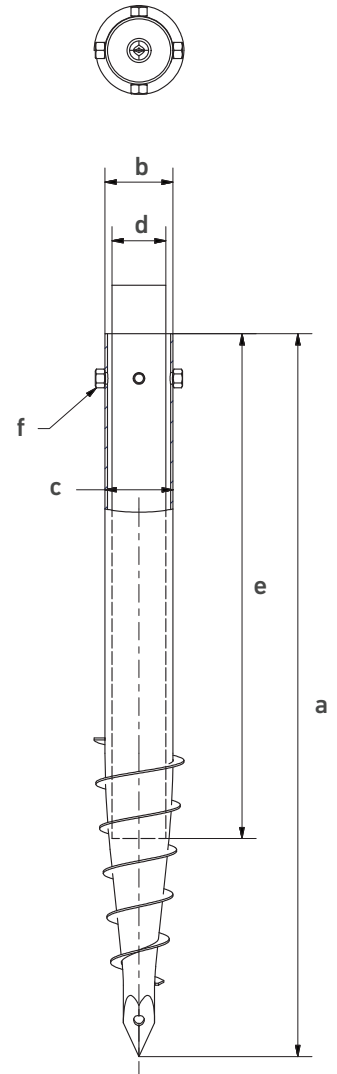
Screwing Bar long
2.40 kg
Item No. 24805



KSF G 76x800-
4xM12

Technical Data

KSF G 76x800-4xM12	
a	Length (mm) (± 25 mm) 810
b	Shaft outer diameter (mm) 76.10
c	Inner diameter (mm) 70.90
d	Diameter setting (mm) 70 60 48 40 34
e	Depth setting (mm) (± 25 mm) 460 590 650 690 730
f	Thread 4 x M12



Online Service

KSF G 76x800-4xM12

Webkey
G2408311D



Technical Data Sheet G Series

Basic Info

KSF G 66x650-3xM8

Nominal length (mm)

650

Tube diameter (mm)

66

Weight (kg)

1.85

Item number

25452



KSF G 66x650-3xM8

Construction

- Nut: DIN EN ISO 4032 - 8
- Continuous welded helix
- Coating: Hot-dip galvanized according to DIN EN ISO 1461
- Patented conical body forged from a single piece

Applications



Accessories



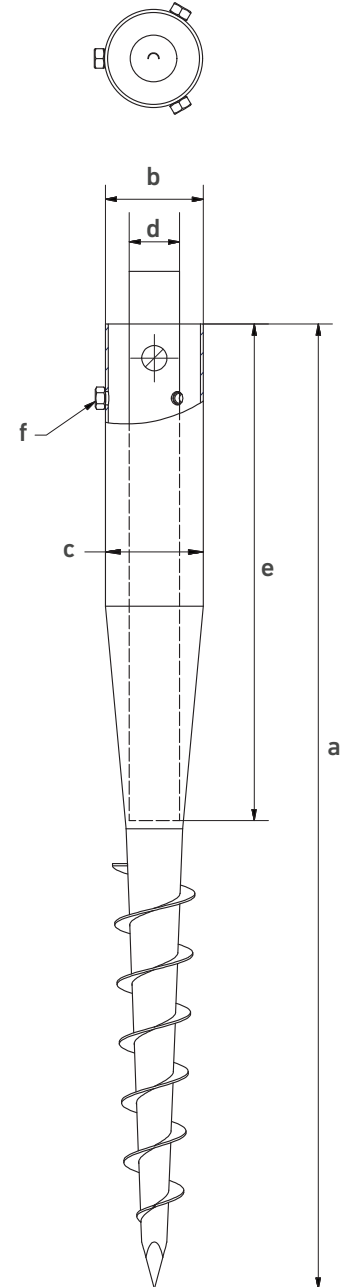
Special
Granulate 500 g
Item No. 21823



Screwing Bar short
0.60 kg
Item No. 20070

Technical Data

KSF G 66x650-3xM8	
a	Length (mm) (± 25 mm) 650
b	Shaft outer diameter (mm) 66
c	Inner diameter (mm) 62
d	Diameter setting (mm) 62 55.5 50 43 38.5 34
e	Depth setting (mm) (± 25 mm) 210 228 245 276 317 395
f	Thread 3 x M8



Online Service

KSF G 66x650-3xM8	
-------------------	--

Webkey
G2545211D



Subject to technical change!

Krinner Schraubfundamente GmbH | Passauer Straße 55 | D-94342 Straßkirchen
Phone: +49 9424 9401-80 | E-Mail: service@krinner.com | www.krinner.com

Technical Data Sheet G Series

Basic Info

KSF G 66x650-1xM8	KSF G 66x550-1xM8
Nominal length (mm)	
650	550
Tube diameter (mm)	
66	66
Weight (kg)	
1.80	1.60
Item number	
20065	20055



KSF G 66x650-1xM8

Construction

- Continuous welded helix
- Coating: Hot-dip galvanized according to DIN EN ISO 1461
- Patented conical body forged from a single piece

Applications



Accessories



Special Granulate 500 g
Item No. 21823



Reduction Sleeve Set-G66
0.10 kg
Item No. 21806



Pivot Linkage Cover-G66
0.30 kg
Item No. 21804



Twisting Element-G 66
0.10 kg
Item No. 21839



Screwing Bar short
0.60 kg
Item No. 20070



Foundation Cap-G 66
0.20 kg
Item No. 21805



Cover Plate-G 66
0.10 kg
Item No. 21856

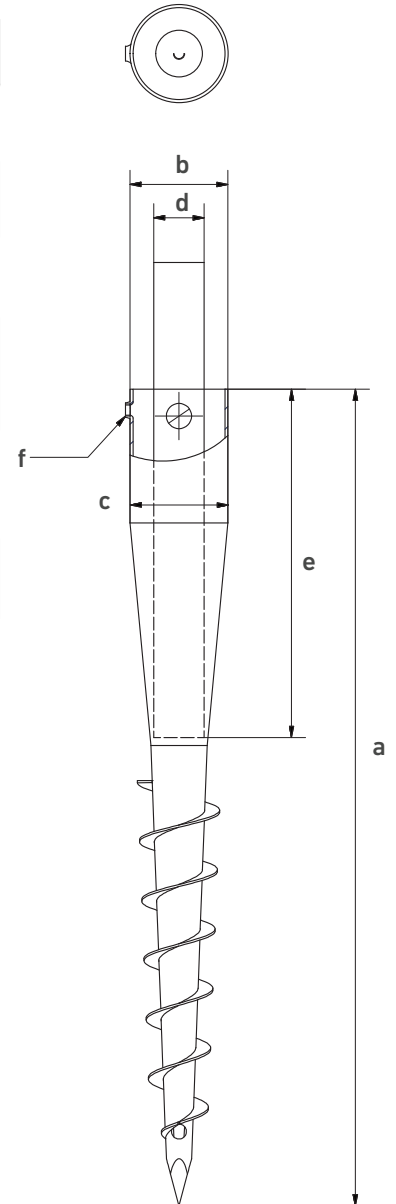
Subject to technical change!

Krinner Schraubfundamente GmbH | Passauer Straße 55 | D-94342 Straßkirchen
Phone: +49 9424 9401-80 | E-Mail: service@krinner.com | www.krinner.com

efficient · no concrete · durable

Technical Data

	KSF G 66x650-1xM8	KSF G 66x550-1xM8
a	Length (mm) (± 20 mm)	
	650	550
b	Shaft outer diameter (mm)	
	66	66
c	Inner diameter (mm)	
	62	62
d	Diameter setting (mm)	
	62 55.5 50 43 38.5 34	62 55.5 50 43 38.5 34
e	Depth setting (mm) (± 20 mm)	
	210 228 245 276 317 395	110 128 145 176 217 295
f	Thread	
	1 x M8	1 x M8



Online Service

KSF G 66x650-1xM8	KSF G 66x550-1xM8
-------------------	-------------------

Webkey

G2006511D

G2005511D



Subject to technical change!

Krinner Schraubfundamente GmbH | Passauer Straße 55 | D-94342 Straßkirchen
Phone: +49 9424 9401-80 | E-Mail: service@krinner.com | www.krinner.com