

## Technical Data Sheet F Series

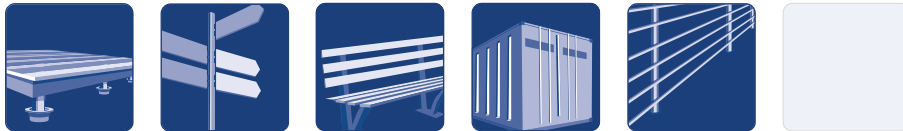
### Basic Info

KSF F 140x1600-P	KSF F 140x1300-P
<b>Nominal length (mm)</b>	
1600	1300
<b>Tube diameter (mm)</b>	
139.70	139.70
<b>Weight (kg)</b>	
17.00	13.50
<b>Item number</b>	
25484	25483

### Construction

- Flange: Sheet metal S355
- Continuous welded helix
- Coating: Hot-dip galvanized according to DIN EN ISO 1461

### Applications



### Accessories



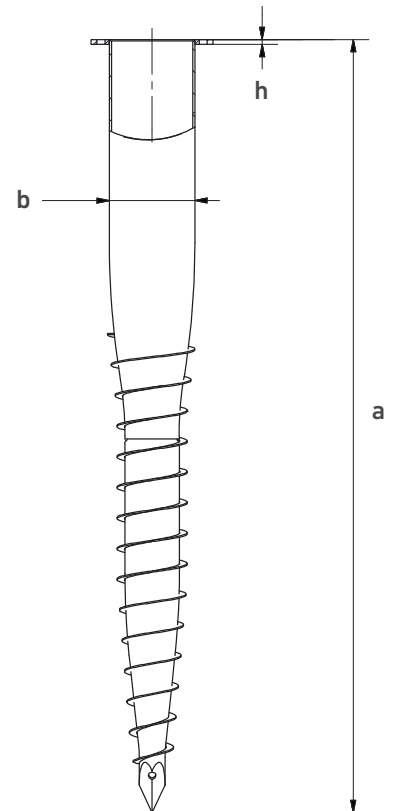
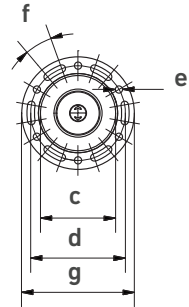
**Cover Plate 2 mm-P**  
Item No. 26818



KSF F 140x  
1300-P

## Technical Data

	KSF F 140x1600-P	KSF F 140x1300-P
<b>a</b>	<b>Length (mm) (<math>\pm 25</math> mm)</b>	
	1592	1262
<b>b</b>	<b>Shaft outer diameter (mm)</b>	
	139.70	139.70
<b>c</b>	<b>Inner diameter (mm)</b>	
	132.50	132.50
<b>d</b>	<b>Pitch circle diameter (mm)</b>	
	167	167
<b>e</b>	<b>Pitch circle holes (mm)</b>	
	6 x $\varnothing 13$	6 x $\varnothing 13$
<b>f</b>	<b>Oblong hole</b>	
	6 x $\varnothing 13$ - <math>20^\circ</math>	6 x $\varnothing 13$ - <math>20^\circ</math>
<b>g</b>	<b>Flange outer diameter (mm)</b>	
	199	199
<b>h</b>	<b>Flange thickness (mm)</b>	
	8	8



## Online Service

KSF F 140x1600-P	KSF F 140x1300-P
------------------	------------------

Webkey

F2548411D

F2548311D



Subject to technical change!

Krinner Schraubfundamente GmbH | Passauer Straße 55 | D-94342 Straßkirchen  
 Phone: +49 9424 9401-80 | E-Mail: service@krinner.com | www.krinner.com

## Technical Data Sheet F Series

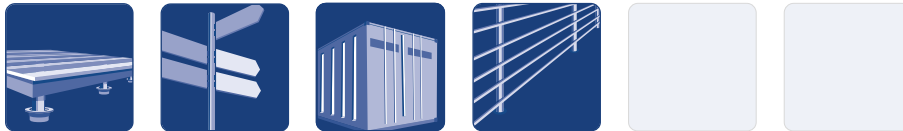
### Basic Info

KSF F 140x2100-M	KSF F 140x1600-M
Nominal length (mm)	
2100	1600
Tube diameter (mm)	
139.70	139.70
Weight (kg)	
24.00	20.00
Item number	
25490	25489

### Construction

- Flange: Sheet metal S355
- Continuous welded helix
- Coating: Hot-dip galvanized according to DIN EN ISO 1461

### Applications



KSF F 140x  
1600-M

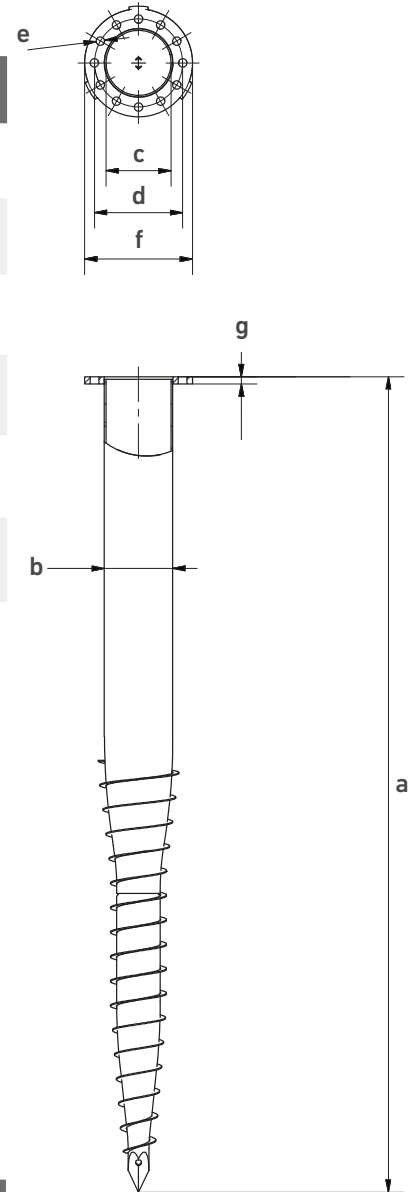
Subject to technical change!

Krinner Schraubfundamente GmbH | Passauer Straße 55 | D-94342 Straßkirchen  
Phone: +49 9424 9401-80 | E-Mail: service@krinner.com | www.krinner.com

efficient · no concrete · durable

## Technical Data

	KSF F 140x2100-M	KSF F 140x1600-M
<b>a</b>	<b>Length (mm) (<math>\pm 25</math> mm)</b>	
	2065	1665
<b>b</b>	<b>Shaft outer diameter (mm)</b>	
	139.70	139.70
<b>c</b>	<b>Inner diameter (mm)</b>	
	132.50	132.50
<b>d</b>	<b>Pitch circle diameter (mm)</b>	
	180	180
<b>e</b>	<b>Pitch circle holes (mm)</b>	
	12 x $\varnothing 17$	12 x $\varnothing 17$
<b>f</b>	<b>Flange outer diameter (mm)</b>	
	220	220
<b>g</b>	<b>Flange thickness (mm)</b>	
	15	15



## Online Service

KSF F 140x2100-M	KSF F 140x1600-M
------------------	------------------

Webkey

F2549011D

F2548911D



Subject to technical change!

Krinner Schraubfundamente GmbH | Passauer Straße 55 | D-94342 Straßkirchen  
 Phone: +49 9424 9401-80 | E-Mail: service@krinner.com | www.krinner.com

## Technical Data Sheet F Series

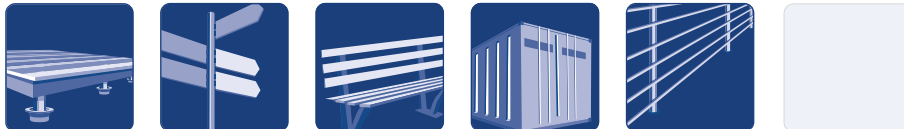
### Basic Info

KSF F 76x1600-R	KSF F 76x1300-R	KSF F 76x1000-R	KSF F 76x800-R
<b>Nominal length (mm)</b>			
1600	1300	1000	800
<b>Tube diameter (mm)</b>			
76.10	76.10	76.10	76.10
<b>Weight (kg)</b>			
12.00	7.50	6.00	4.50
<b>Item number</b>			
25478	25477	25476	25475

### Construction

- Flange: Sheet metal S355
- Continuous welded helix
- Coating: Hot-dip galvanized according to DIN EN ISO 1461

### Applications



### Accessories



**Post Bearer Plane-R**  
Item No. 28006



**Post Bearer M24-R**  
Item No. 28007



**Post Bearer M44-R**  
Item No. 28008



**Post Bearer Sword-R**  
Item No. 28009



**Post Bearer Side Flaps-R**  
Item No. 28010



**Post Bearer Vario PS150-R**  
Item No. 28019



KSF F 76x1300-R

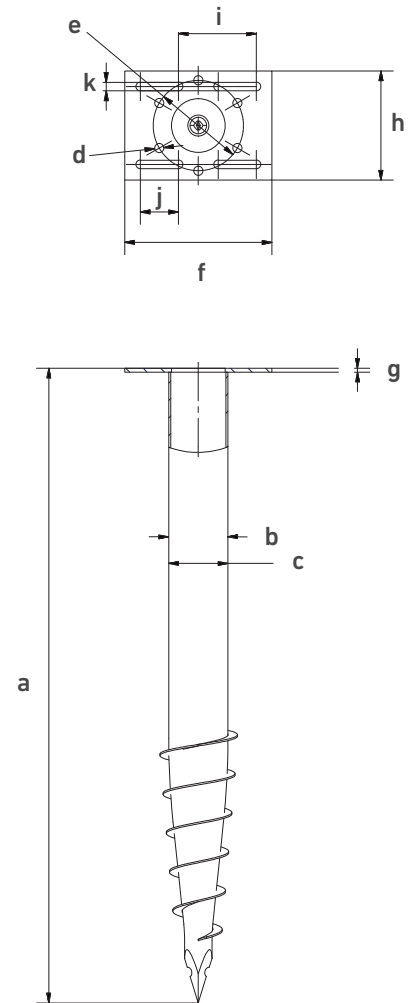
Subject to technical change!

Krinner Schraubfundamente GmbH | Passauer Straße 55 | D-94342 Straßkirchen  
Phone: +49 9424 9401-80 | E-Mail: service@krinner.com | www.krinner.com

efficient · no concrete · durable

### Technical Data

	KSF F 76x1600-R	KSF F 76x1300-R	KSF F 76x1000-R	KSF F 76x800-R
<b>a</b>	<b>Length (mm) (<math>\pm 25</math> mm)</b>			
	1575	1275	1045	815
<b>b</b>	<b>Shaft outer diameter (mm)</b>			
	76.10	76.10	76.10	76.10
<b>c</b>	<b>Inner diameter (mm)</b>			
	68.90	70.90	70.90	70.90
<b>d</b>	<b>Hole diameter (mm)</b>			
	6 x $\varnothing 11$	6 x $\varnothing 11$	6 x $\varnothing 11$	6 x $\varnothing 11$
<b>e</b>	<b>Pitch circle diameter (mm)</b>			
	116	116	116	116
<b>f</b>	<b>Flange length (mm)</b>			
	189	189	189	189
<b>g</b>	<b>Flange thickness (mm)</b>			
	5	5	5	5
<b>h</b>	<b>Flange width (mm)</b>			
	140	140	140	140
<b>i</b>	<b>Oblong hole grid size (mm)</b>			
	100	100	100	100
<b>j</b>	<b>Oblong hole length (mm)</b>			
	49	49	49	49
<b>k</b>	<b>Oblong hole diameter (mm)</b>			
	11	11	11	11



### Online Service

KSF F 76x1600-R	KSF F 76x1300-R	KSF F 76x1000-R	KSF F 76x800-R
-----------------	-----------------	-----------------	----------------

#### Webkey

F2547811D



F2547711D



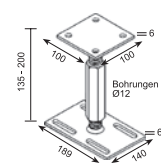
F2547611D



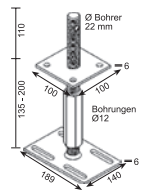
F2547511D



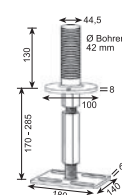
#### Post Anchor



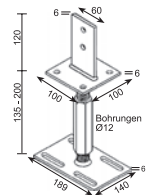
Flat R



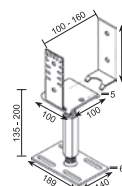
M24-R



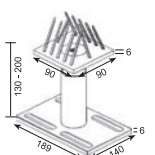
M44-R



Blade R



Side Tabs R



Vario PS 150-R

Subject to technical change!

Krinner Schraubfundamente GmbH | Passauer Straße 55 | D-94342 Straßkirchen  
Phone: +49 9424 9401-80 | E-Mail: service@krinner.com | www.krinner.com