

Technical Data Sheet E Series

Basic Info

KSF E 140x2100- E76-100	KSF E 140x1600- E76-100	KSF E 140x1300- E76-100
Nominal length (mm)		
2100	1600	1300
Tube diameter (mm)		
139.70	139.70	139.70
Weight (kg)		
23.50	18.50	15.00
Item number		
25500	26160	25502



KSF E 140x1300-
E76-100

Construction

- Flange: GP240GH
- Coating: Hot-dip galvanized according to DIN EN ISO 1461
- Continuous welded helix

Applications



Accessories



Excenter Set-E76
Item No. 26810



Excenter Set-E80
Item No. 26814



Excenter Set-E90
Item No. 26813



Excenter Set-E100
Item No. 26809



Reducer-E76-E60
Item No. 26821



Reducer-E76-E70
Item No. 26822



Cover Plate
2 mm-E76-100
Item No. 26819



Cover Plate
8 mm-E76-100
Item No. 26829



Attachment
Screw-E76-100
Item No. 21837



Countersunk-E76-100
Item No. 26830

Subject to technical change!

Krinner Schraubfundamente GmbH | Passauer Straße 55 | D-94342 Straßkirchen
Phone: +49 9424 9401-80 | E-Mail: service@krinner.com | www.krinner.com

efficient · no concrete · durable

Technical Data

	KSF E 140x2100- E76-100	KSF E 140x1600- E76-100	KSF E 140x1300- E76-100
a Length (mm) (± 25 mm)	2110	1640	1310
b Outer diameter (mm)	139.70	139.70	139.70
c Inner diameter (mm)	132.50	132.50	132.50
d Diameter setting* (mm)	100 90 80 76**	100 90 80 76**	100 90 80 76**
e Depth setting (mm) (± 25 mm)	975 1010 1040 1040	730 775 810 810	565 630 650 650
f Thread	3 x M12	3 x M12	3 x M12
g Pitch circle diameter (mm)	192	192	192
h Flange outer diameter (mm)	220	220	220
i Flange thickness (mm)	14	14	14

* The diameter setting (d) determines the depth setting (e)

**Tip for installation: To adjust the depth setting, it is recommended to fill in ballast or insert an accessory plate

Online Service

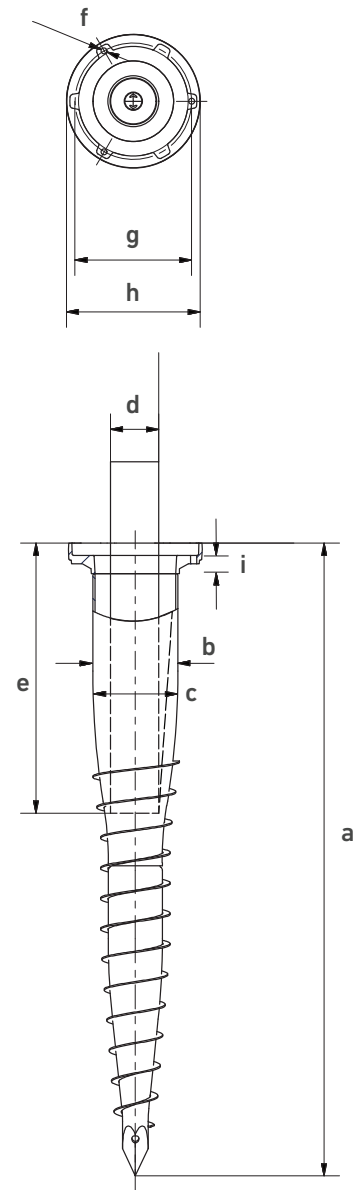
KSF E 140x2100- E76-100	KSF E 140x1600- E76-100	KSF E 140x1300- E76-100
----------------------------	----------------------------	----------------------------

Webkey

E2550011D

E2616011D

E2550211D



Subject to technical change!

Krinner Schraubfundamente GmbH | Passauer Straße 55 | D-94342 Straßkirchen
Phone: +49 9424 9401-80 | E-Mail: service@krinner.com | www.krinner.com

Technical Data Sheet E Series

Basic Info

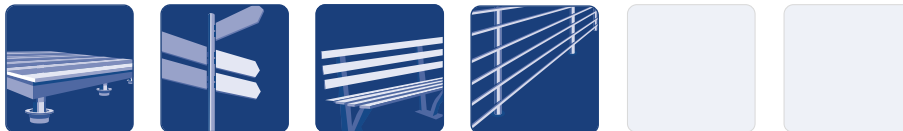
KSF E 89x1000-E60	KSF E 89x800-E60	KSF E 89x550-E60
Nominal length (mm)		
1000	800	550
Tube diameter (mm)		
88.90	88.90	88.90
Weight (kg)		
5.50	4.30	3.50
Item number		
24100	24080	24055



Construction

- Coating: Hot-dip galvanized according to DIN EN ISO 1461
- Continuous welded helix
- Patented conical body forged from a single piece of tubing

Applications



Accessories



Cover Plate 2 mm-E60
Item No. 24808



Clamp Ring-E60
Item No. 24802



Excenter-E60
Item No. 24801



Fair Level-E60
Item No. 24803



Excenter Set-E60
Item No. 24817



Fixing Screw-E60
Item No. 21808

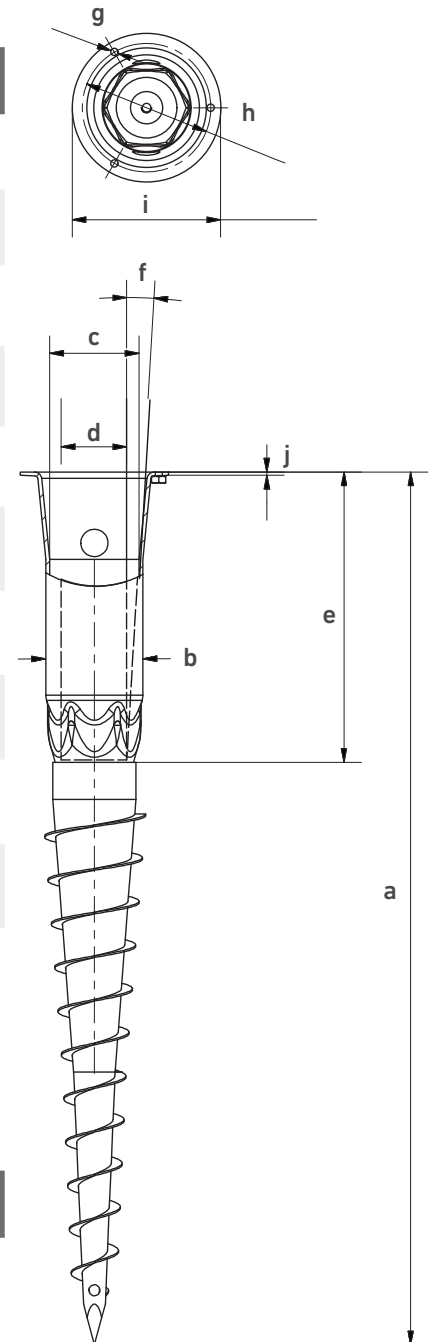
Subject to technical change!

Krinner Schraubfundamente GmbH | Passauer Straße 55 | D-94342 Straßkirchen
Phone: +49 9424 9401-80 | E-Mail: service@krinner.com | www.krinner.com

efficient · no concrete · durable

Technical Data

	KSF E 89x1000-E60	KSF E 89x800-E60	KSF E 89x550-E60
a	Length (mm) (± 25 mm)		
	1000	800	550
b	Outer diameter (mm)		
	88.90	88.90	88.90
c	Inner diameter (mm)		
	81.70	81.70	81.70
d	Diameter setting* (mm)		
	60	60	60
e	Depth setting (mm) (± 25 mm)		
	270	270	270
f	Alignment range		
	3° (incl. Excenter)	3° (incl. Excenter)	3° (incl. Excenter)
g	Thread		
	3 x M8	3 x M8	3 x M8
h	Pitch circle diameter (mm)		
	118	118	118
i	Flange outer diameter (mm)		
	136	136	136
j	Flange thickness (mm)		
	3	3	3



*Diameter setting (a) result in depth setting (e) and alignment range (f)

Online Service

KSF E 89x1000-E60	KSF E 89x800-E60	KSF E 89x550-E60
-------------------	------------------	------------------

Webkey

E2410011D

E2408011D

E2405511D



Subject to technical change!

Krinner Schraubfundamente GmbH | Passauer Straße 55 | D-94342 Straßkirchen
Phone: +49 9424 9401-80 | E-Mail: service@krinner.com | www.krinner.com